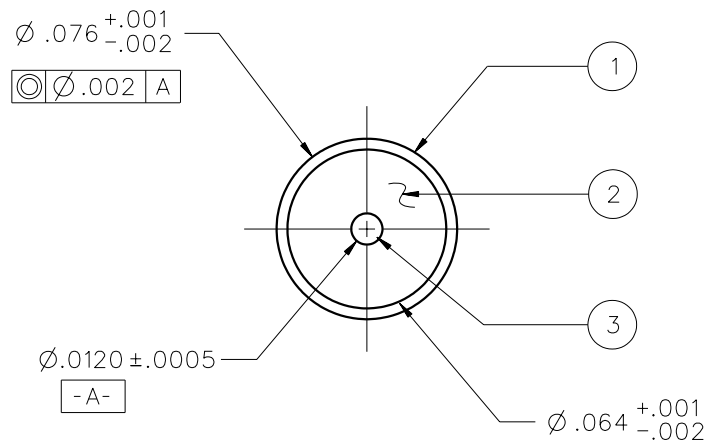
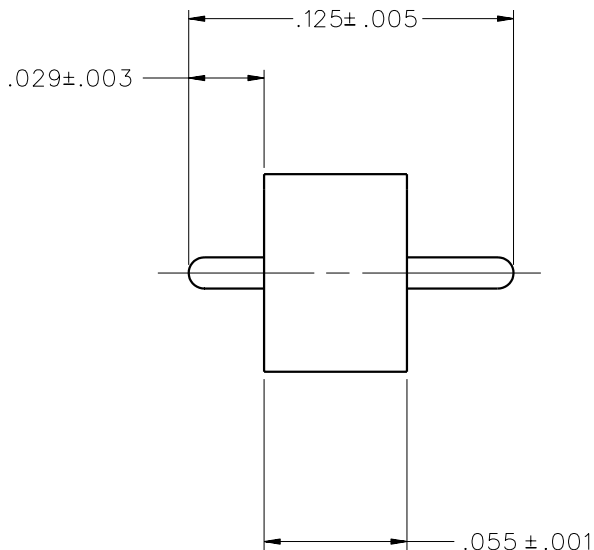


PART NUMBER 142-1000-033	ITEM ① OUTER RING KOVAR GOLD PL .00005 MIN OVER NICKEL PL .000005 MIN	ITEM ② INSULATOR GLASS, CORNING 7070	ITEM ③ PIN KOVAR GOLD PL .00005 MIN OVER NICKEL PL .000005 MIN
-----------------------------	---	---	--

DRAWING NO. B - 142-1000-033			
0		REVISIONS	
ENGINEERING RELEASE			
1	4-15-03	R H	L G T A K R J B
			ECN 49021



NOTES:

1. SPECIFICATIONS:

ELECTRICAL:

IMPEDANCE: 50 OHMS NOMINAL  
 FREQUENCY RANGE: DC TO 40 GHZ  
 VSWR: DEPENDANT ON APPLICATION  
 WORKING VOLTAGE: 250 VRMS MAX AT SEA LEVEL  
 DIELECTRIC WITHSTANDING VOLTAGE: 500 VRMS AT SEA LEVEL  
 INSULATION RESISTANCE: 5000 MEGOHM MIN  
 INSERTION LOSS: 0.2dB MAX AT 40 GHZ

ENVIRONMENTAL:

HERMETICITY: 1x10<sup>-8</sup> cc/sec AT ONE ATMOSPHERE  
 SOLDERABILITY: MIL-STD-202, METHOD 209  
 OPERATING TEMPERATURE: -55 DEG C TO +165 DEG C

CUSTOMER DRAWING

THIS DRAWING TO BE INTERPRETED  
 PER ANSII 14.5M - 1982

"μSTATION"

COMPANY CONFIDENTIAL

TOLERANCE UNLESS OTHERWISE SPECIFIED		DRAWN BY <b>RSH</b>	DATE 4-3-95	 299 Johnson Ave. P.O. Box 1732 Waseca, MN 56093-0832
DECIMALS .XX	mm	CHECKED BY	DATE	
.XXX		APPROVED BY T.A.Kari	DATE 9-30-03	TITLE 50 OHM FEEDTHRU, HERMETIC SEAL, SMK (2.92mm)
MATL		APPROVED BY	DATE	CODE NO.
FINISH		RELEASE DATE	9-30-03	DRAWING NO. B - 142-1000-033
		SCALE NONE	U/M INCH	SHEET 2 OF 2